

SANCOM

SA-PAN027029-P54

2.7-2.9 GHz High Power GaN-HEMT

Features

Frequency Range: 2.7-2.9 GHz

 $P_{\text{sat}} \geq 54 \text{ dBm}$ Power Gain: $\geq 13 \text{ dB}$

Efficiency: = 55% (Type)

 $Z_{\text{in}} / Z_{\text{out}} = 50 \Omega$ 

Description

Sancom Electric's GaN-HEMT SA-PAN027029-P54 offers high power, high efficiency, ease of matching and greater consistency for high power applications with 50V operation. The SA-PAN027029-P54 typically provides 54 dBm of saturated output power and 13 dB of large-signal gain and can be widely used in various RF/microwave systems.

ABSOLUTE MAXIMUM RATINGS

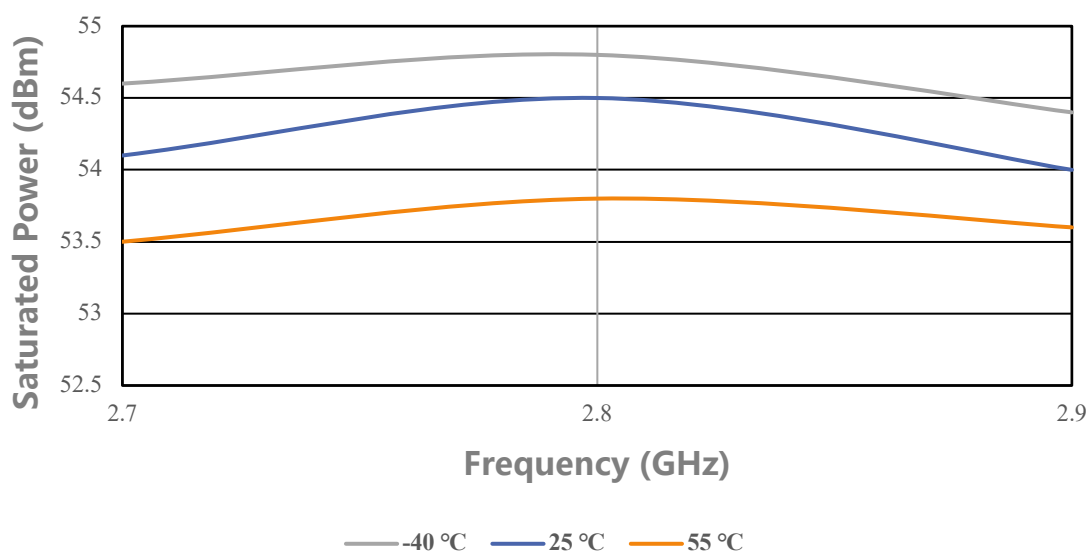
Parameter	Symbol	Condition	Rating	Unit
Drain-Source Voltage	V_{DS}	TC=25°C	60	V
Gate-Source Voltage	V_{GS}	TC=25°C	-5	V
Storage Temperature	T_{stg}	TC=25°C	-65 to 150	°C
Channel Temperature	T_{ch}	TC=25°C	150	°C

ELECTRICAL SPECIFICATIONS

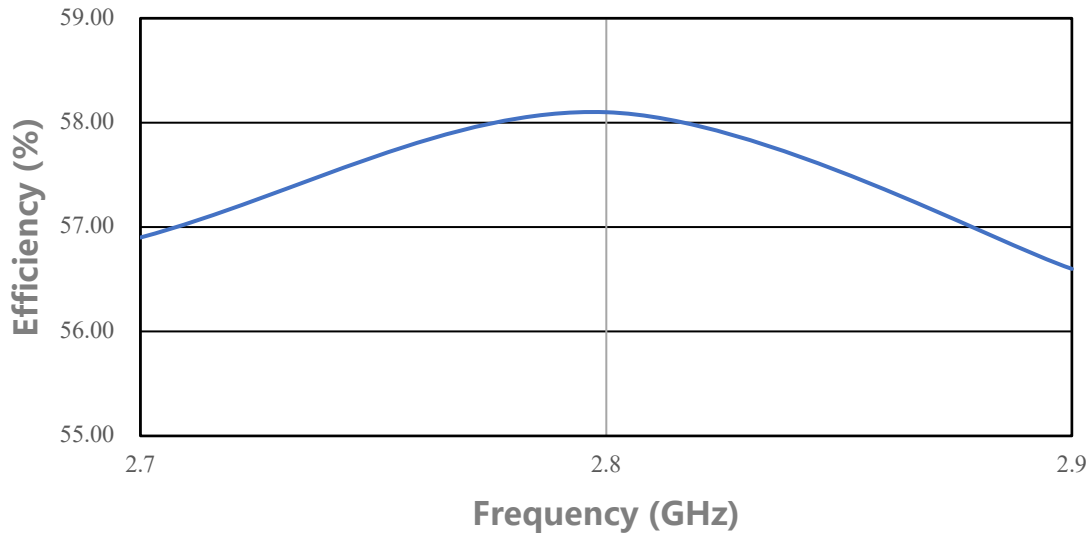
Parameter	Symbol	Condition	Min	Typ	Max	Unit
Drain-Source Current	I_{DS}	V_{DS} : 50V Pulse $T = 1ms, Duty = 10\%$ P_{in} : 41 dBm Freq: 2.7 ~ 2.9 GHz	-	9.1	-	A
Saturated Power	P_{sat}		54	-	-	dBm
Power Gain	G_p		13	-	-	dB
Efficiency	η		-	55	-	%
Flatness	ΔG		-0.8	-	0.8	dB

Performance Plots

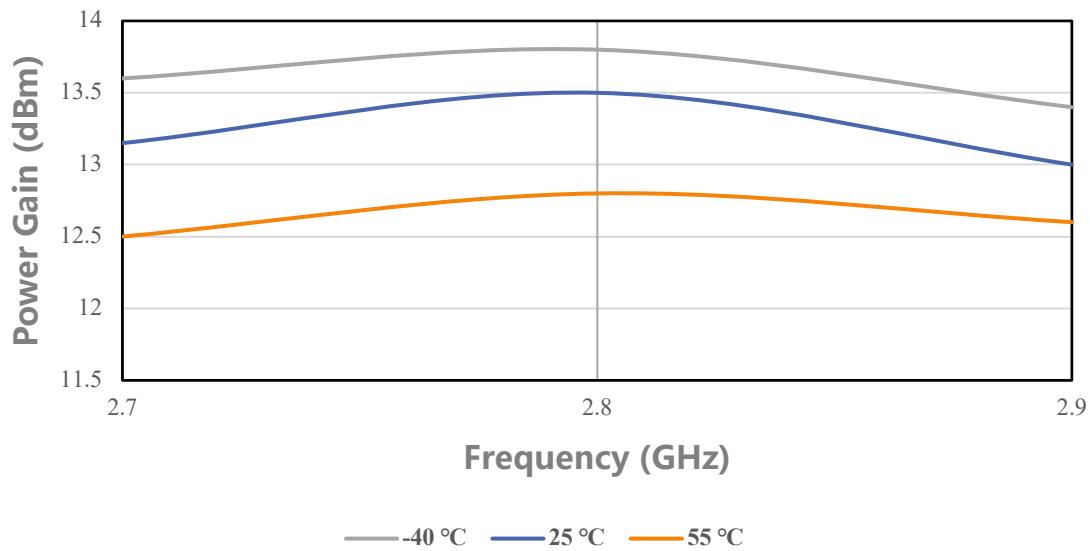
Saturated Power VS Frequency



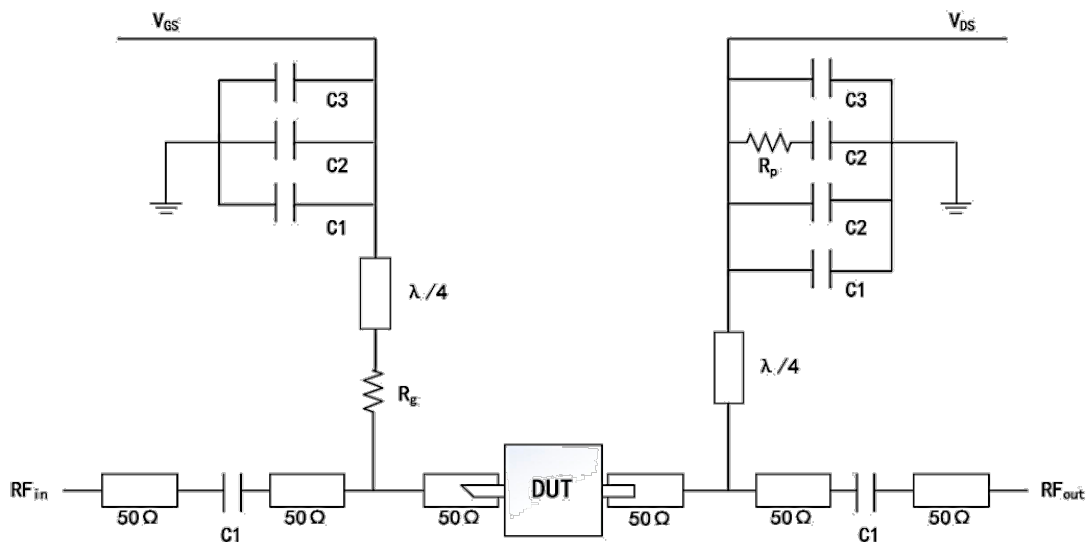
Efficiency VS Frequency



Power Gain VS Frequency



Simplified Block Diagram

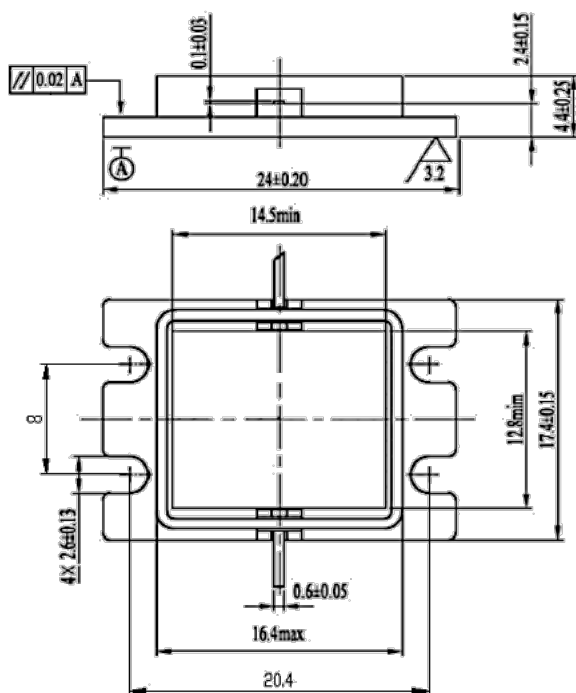


DUT information	
C1: 8 pF	Rp: 51 Ω
C2: 1000 pF	Rg: 15 Ω
C3: 100 μF	

ESD Protection

ESD	Class III	2000 V
-----	-----------	--------

Outline Drawing



Unit: mm

Attention

- Please keep away from moisture during transportation and storage
- Pay attention to ESD prevention during chip use and assembly. Wear a grounding ESD bracelet.
- When adding electricity, add gate electricity first and then add leakage electricity